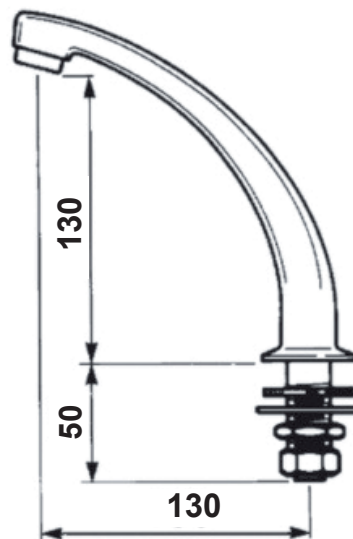


Range: Spout

Ref: 30302 - Deck-mounted spout



> Working pressure :

- 1 to 5 bar

> Flow :

- 6 l/min
- Flow limiter in option

> Functionality :

- Deck-mounted spout

> Hydraulic supply :

- M G 1/2" (15x21) - Threaded lenght 50 mm

> Thermal resistance :

- Resistant to a temperature of 75°C for 30-minute-thermal-shocks

> Delivered with :

- Suitable gasket
- 1 Rose
- Aerator
- Nut

> Standards & approvals :

- Brass body and component in accordance with EN 1982/CC754S, NF EN 12164/CW614N, NF EN 12165/CW617N
- Molded chrome-plated body in accordance with EN 12540
- 200-hour neutral salt spray resistant (NSS) in accordance with ISO 9227

