

# WimTec® PROOF T6



**Suitable for**

WimTec SLK or Geberit Sigma (UP320) cistern.



**AquaCap sensor technology**

With product version WimTec PROOF T6 - 12 V (mains operation), the AquaCap sensor buttons light up when a user approaches, facilitating intuitive operation.



**Automatic activation**

of the large flushing volume when stepping away – ensures maximum toilet hygiene and cleanliness.



**Touch-free activation**

of the large flushing volume via the close detection range.



**Manual activation**

of the small or large flushing volume via a gentle push.



**Alternative activation**

possible via external button or radio trigger, as well as adjustable intermediate flushing during long sittings.



**Intelligent stagnation flush**

An automatic stagnation flush is performed whenever the fitting has not been used for the duration of the adjusted flushing interval, thus preventing an uncontrolled rise in the number of bacteria in the cold water system.

**HyPlus Product version:**

The operator can configure the flushing interval to meet local hygienic requirements with even greater precision. Moreover, setting a minimum flushing volume within the flushing interval ensures regular and complete water exchange according to VDI/DVGW 6023.



**Cleaning stop**

For disabling the flushing activation.



**Power-failure proof**

The WimTec support battery available as an optional feature ensures ongoing operation during a power failure.



Stainless steel  
Material 1.4301



Chrome



**Battery version:**

The AquaCap sensor button symbols do not light up in the battery version. The functions correspond to those of the mains version.

**Function:**



**Automatic flushing:**

After a delay of 10 s, the flush function is automatically triggered when the user steps away (can be disabled).



**Manual flushing:**

Activation at the slightest touch of the large or small flushing volume AquaCap sensor button.



**Touch-free flushing:**

Placing the hand approx. 3 cm in front of the infra-red sensor triggers the large flushing volume.



**Additional flushing activation:**

Automatic intermediate flushing with the large flushing volume every 10 min (can be activated) and the option of integrating an external button or radio trigger into the hand rail.

### Technical data:

**WimTec PROOF T6 - 12 V:**  
 Supply voltage: WimTec flush-mount power supply  
 230 V 50 Hz / 12 V=  
 Power consumption: max. 3.5 W

**WimTec PROOF T6 - 6 V:**  
 Battery: 2 x 6-V Lithium CR-P2  
 Battery life: approx. 7,500 flushings (max. 1.5 years)

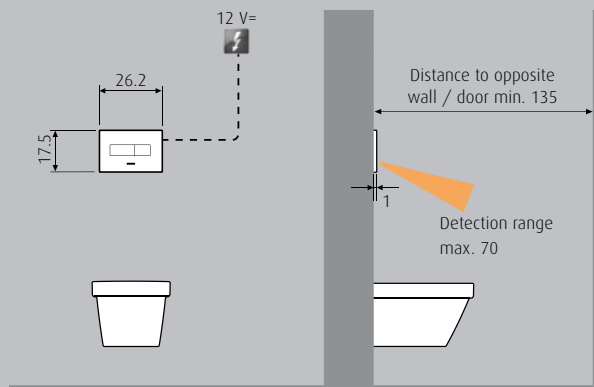
### Further technical data:

Detection range: adjustable from 30 - 70 cm  
 Close detection range: approx. 3 cm  
 Large flushing volume: adjustable from 2 l up to max. cistern volume  
 Small flushing volume: adjustable, 2 l or 3 l  
 Stagnation flush: can be enabled, flushing interval: after 3 h to 48 h of non-usage, flushing volume: large flushing volume  
 Cleaning stop: can be enabled, for 3 min  
 Intermediate flushing: can be enabled, every 10 min if enabled

### HyPlus Product version:

Stagnation flush: can be enabled, flushing interval: after 0.5 h to 24 h, minimum flushing volume: large flushing volume within the set flushing interval, max. flushing performance when not used: **432 l/day**

### Mounting (Dimensions in cm):



### For 12-V mains version:

Power supply: 2 x 0.5 - 1.5 mm<sup>2</sup> total cable length of max. 50 m  
 Recommendation: Do not install the power supply in the cistern or protected zones, if applicable.

Designation	Model	Material	Art. no.	PG
-------------	-------	----------	----------	----

#### Delivery scope WimTec PROOF T6:

Stainless steel or chrome-plated brass front plate, mounting frame with integrated electronics module and lever bearing with motor lift. Battery version: incl. batteries, mains version: without flush-mount power supply.

	WimTec PROOF T6 - SLK 12 V Touch-free WC flush plate for mains operation suitable for WimTec SLK cistern.	Standard	Stainless steel	121 674	1
		Standard	Chrome	122 084	1
		HyPlus	Stainless steel	123 258	1
		HyPlus	Chrome	123 265	1

	WimTec PROOF T6 - SLK 6 V Touch-free WC flush plate for battery operation suitable for WimTec SLK cistern.	Standard	Stainless steel	121 681	1
		Standard	Chrome	122 053	1
		HyPlus	Stainless steel	123 296	1
		HyPlus	Chrome	123 302	1

	WimTec PROOF T6 - UP320 12 V Touch-free WC flush plate for mains operation suitable for Geberit Sigma (UP320) cistern.	Standard	Stainless steel	121 698	1
		Standard	Chrome	122 060	1
		HyPlus	Stainless steel	123 272	1
		HyPlus	Chrome	123 289	1

	WimTec PROOF T6 - UP320 6 V Touch-free WC flush plate for battery operation suitable for Geberit Sigma (UP320) cistern.	Standard	Stainless steel	121 704	1
		Standard	Chrome	122 077	1
		HyPlus	Stainless steel	123 319	1
		HyPlus	Chrome	123 326	1

#### WimTec flush-mount power supply

	For connecting a single fitting, see page 200.	Single		117 899	1
	For connecting up to 5 fittings, see page 200.	Fivefold		113 792	1

#### Accessories:

	<b>WimTec - support battery</b> Ensures ongoing operation during a power failure for 10 activations/max. 24 h. Suitable for WimTec PROOF T6 XL - 12 V, see page 200.			122 091	1
--	---	--	--	---------	---

	<b>WimTec radio trigger set</b> For assembly on WimTec VariCare (folding) hand rails. Suitable for WimTec PROOF T6 XL - 12 V, see page 200.	White		112 726	5
--	--	-------	--	---------	---

Further accessories and spare parts see page 200 onwards.